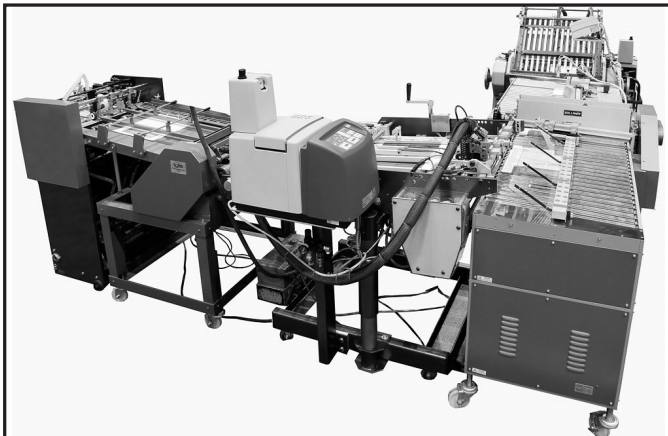
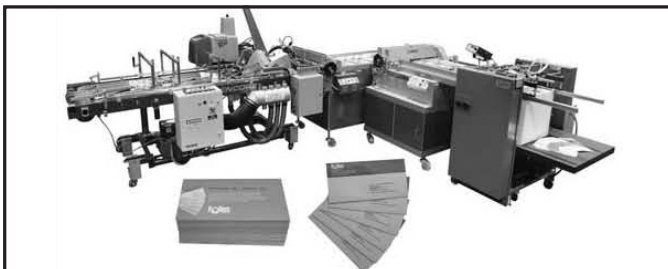


Document Processing Systems



Rollem Mini-Mailstream



Rollem's Mailstream Direct Mail Finishing System

44 livery to mail bins. Glue closures meet USPS requirements and also eliminate the need for wafer seals. In-line and near-Line configurations are available.

APPLICATIONS: Mail-stream is ideal any lettershop, mail center or office services environment, including that of banks, colleges and universities, government offices, insurance companies, and telecoms.

INSIGNIA DIE CUTTERS: The Insignia Series of die cutter is a new class of sheet-fed rotary die cutter, ideal for producing labels, packaging, and unique mail applications. The machine is capable of die-cutting, kiss-cutting, perforating, scoring, and cut-scoring on a range of papers, plastics, magnetic material, PVC, styrene and polypropylenes up to 24 pt. in thickness. Key features include run speeds up to 5,000 sph, ease of operation and quick changeover. Insignia is available in two sizes, Insignia5 handles digital sheet sizes 20x15", and Insignia7 handles B2 size 24x30" sheets. Insignia is ideal for promotional products, garment and industrial tags and labels, shaped direct mail, photo products, pocket folders, folded cartons, stickers, and the list goes on. The flexo-magnetic dies are a simple change over from job to job and the machine is easy to operate. To meet varying application requirements, Insignia is available in either single or dual magnetic cylinder configurations. *For additional information, see Die Cutting section.*

CONTACT: For more information, call 800-272-4381 or click www.rollemusa.com/mail.

For example, a single mag. machine cuts against a solid ground anvil bottom cylinder, ideal for kiss cutting or flat die cutting whereas a dual mag. machine uses a set of paired dies on the upper and lower cylinders, ideal for pocket folder and cartons. In addition, the customer is offered the option of two delivery systems; a high capacity receding stacker for flat sheet delivery, or a waste stripping unit to deliver finished products. A folder gluer unit is available to provide printed sheet to folded-glued box

production with zero touch points and a single operator. The Insignia Series allows printers to expand their product offerings with this versatile, production geared machine. This system offers the largest sheet capacity in its class. With a 24x30" sheet size, printers can populate more products on a sheet, resulting in greater output and productivity. Insignia uses a full press style register system to guarantee 100% sheet-to-sheet registration, at speeds up to 5,000 sph.



Plow Folding

See Rollem International's listings in *Address/Barcode Printers and Interter Mailing Systems*

CONTACT: For more information, call 800-272-4381 or click www.rollemusa.com/mail.

§ Spedo US, Inc.

CATEGORY: Document Processing Systems

PRODUCT: SPEDO Forms Processing Systems

COMPANY: Spedo US, Inc., PO Box 1032, Reisterstown, MD 21136-1032 Contact: James Wroe Email: support@spedo.us. Phone: 866-773-3687 or 410-517-1690. Web: www.spedo.us



Spedo 9400 Web Buffer

SPEDO 9400 WEB BUFFER: The Spedo UK 9400 web buffer surpasses the boundaries of continuous forms processing whilst improving the flexibility, accuracy and reliability demand by today's applications. The Spedo 9400 uses the latest generation of Spedo's well proven control system. This system has now been refined and expanded to provide spare capacity for the users every need. Our new web buffer will take control of your high speed printer and cutter to ensure the smoothest print flow possible.



Spedo 8500 Conveyor Stacker

SPEDO 8500 CONVEYOR STACKER: The Spedo 8500 Conveyor Stacker designed for both off and on-line applications. Operator adjustable height, for greater form control. Systems control allows the operator to pause the system from the output conveyor. **Optional**



Spedo 8100 Conveyor Stacker

Down-stacking for extra capacity. Optional Boosting and Batching facility allows greater flexibility.

SPEDO 8100 CONVEYOR STACKER: The Spedo 8100 Conveyor Stacker designed for both off and on-line applications. Smaller footprint than standard conveyor stacker. Operator adjustable height. Systems control allows the operator to pause the system from the output conveyor.

Optional Down- stacking for extra capacity. Optional Boosting and Batching facility allows greater flexibility. (8100E only)

See Spedo's listings in the Bursters/Cutters Processors section and the Self Mailing Systems section.

CONTACT: For more information, call 410-517- 1690 or email support@spedo.us.

§ Engineering Innovation Inc.

CATEGORY: Electronic Tracking Systems

PRODUCT: Postal Steward™ eVS Solution

COMPANY: Engineering Innovation Inc. (Eii), 3601 Sagamore Parkway N, Suite Eii, Lafayette, IN 47904 Contact: Sales. E-Mail: sales@eii-online.com. Phone: 800-350-6450

POSTAL STEWARD DESCRIPTION: The Postal Steward™ eVS Solution by Engineering Innovation, Inc. helps organize your electronic verification data before submission to the United States Postal Service, and presents the data to you after processing. The Postal Steward software compiles tracking and identification information about mail pieces during processing, while the Postal Steward website allows users to view submitted documentation, filter the results, and gain definitions of SSF fields.

POSTAL STEWARD FEATURES: Electronic manifesting software that is compatible with all EII manifesting systems; Automatic submission to the United States Postal Services electronic verification system, PostalOne!; OAuth 2.0 security framework maintains data security during job submission; Validation based on USPS Publications 199 and 205; Real time updates of shipping services file (SSF) status; Exportation of SSFs text files.

See Engineering Innovation's listings in these sections: *Barcoding/Sorting Systems; Certified Mailing Systems; Parcel Mailing Systems; and Postage Mailing Systems*

CONTACT: For more information call 800-350-6450 or email sales@eii-online.com.

MSMA Mail Systems Management Association

The network you need for the work you do!

Our membership is comprised of professionals from varied positions:

- Mail Center
- Mail Security
- Copy and Reprographics
- Administrative/Office Support
- Shipping Services
- Logistics
- Courier Services
- Address/Data Management
- Consulting

Join us to:

- Expand your network
- Establish new contacts
- Share real world solutions
- Empower yourself through educational seminars, webinars, and conferences
- Earn industry certifications

Contact us to become a Member today!

msma@msmanational.org

www.msmanational.org

@MSMA_National National MSMA

Mail Systems Management Association

Mail Management

Copy/ Admin Support

Shipping/Logistics

Courier Services

Address/Data Management Consulting